

YIUNFAN HU

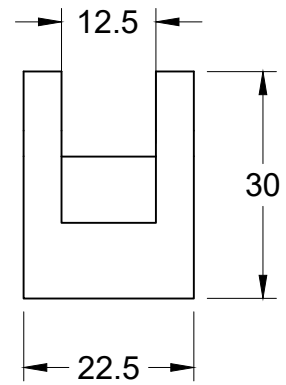
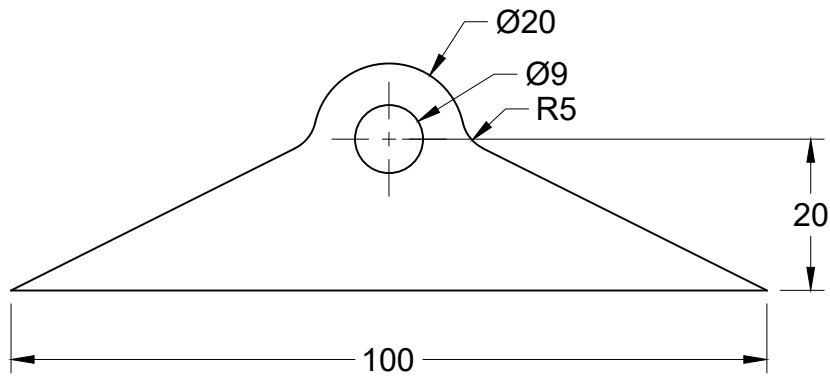
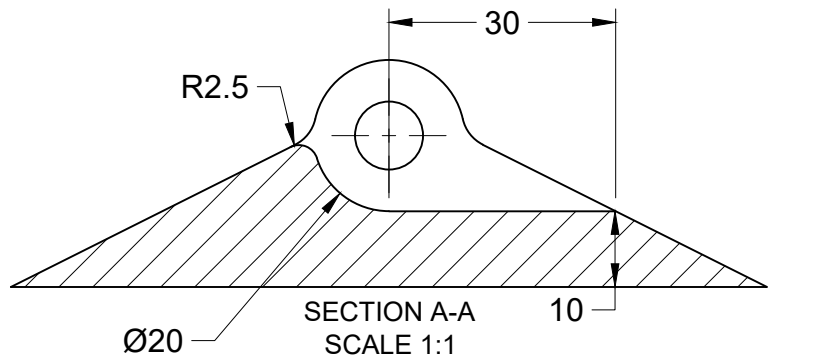
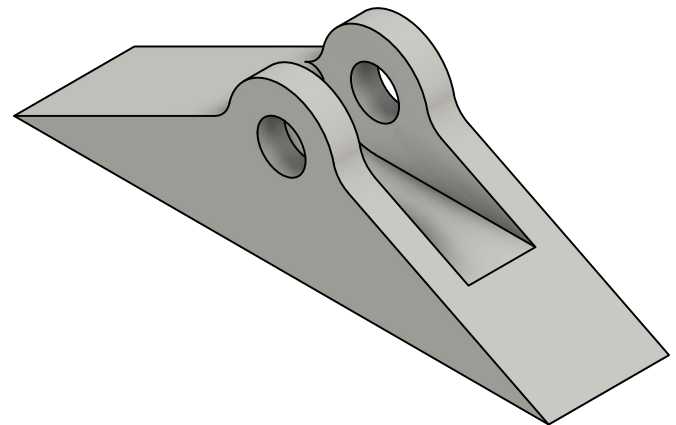
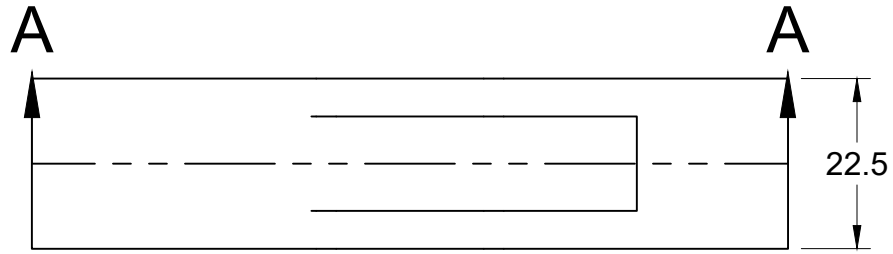
LEG

SCALE: 1:2

3/16/2022

MR ROGERS

POE PERIOD 1



YIUNFAN HU

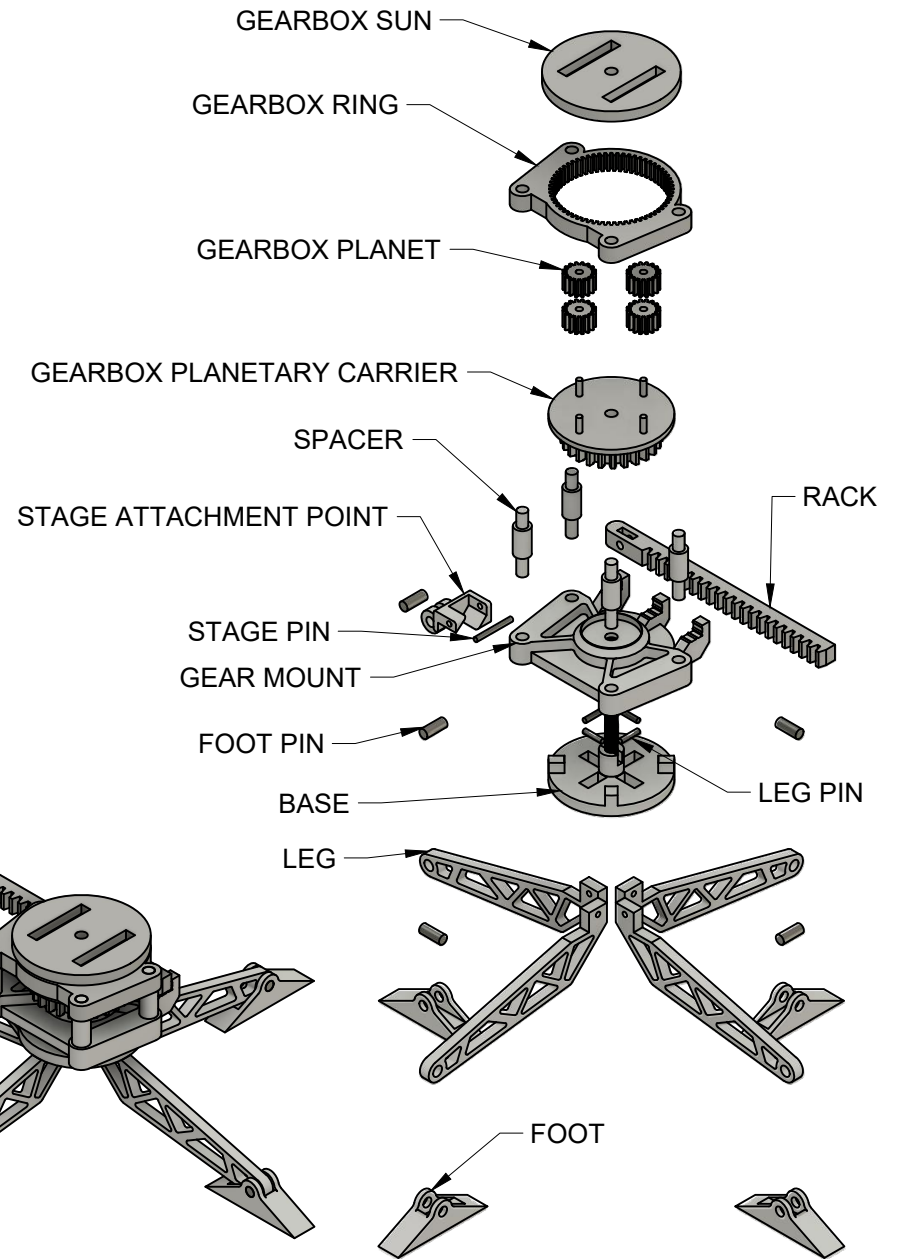
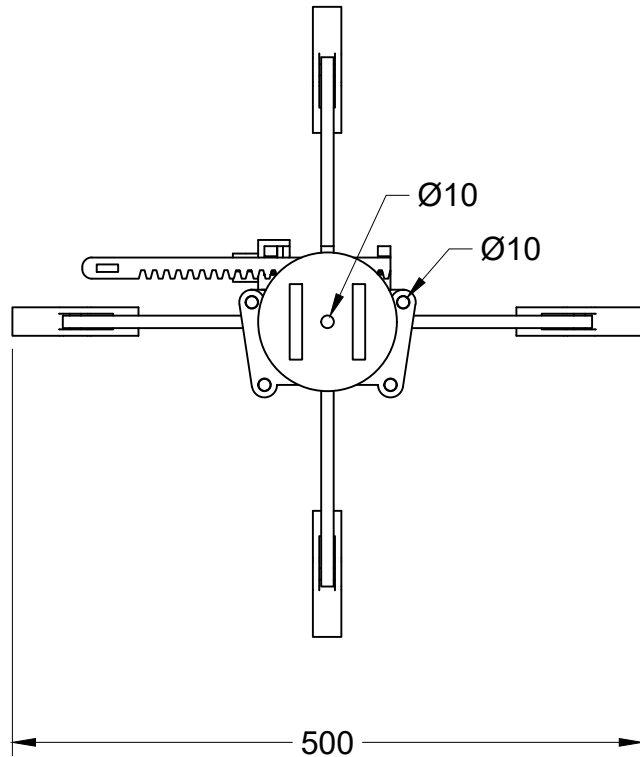
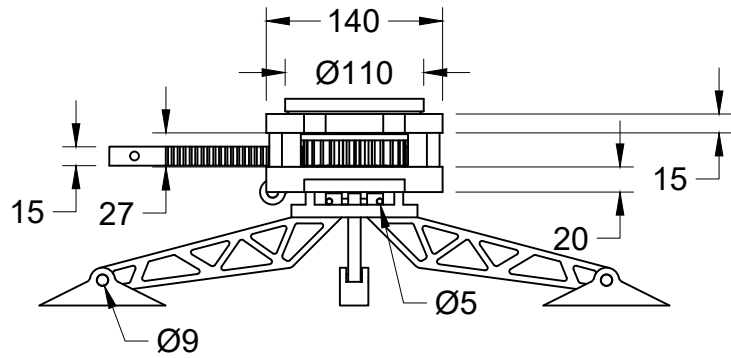
FOOT

SCALE: 1:1

3/16/2022

MR ROGERS

POE PERIOD 1



YIUNFAN HU

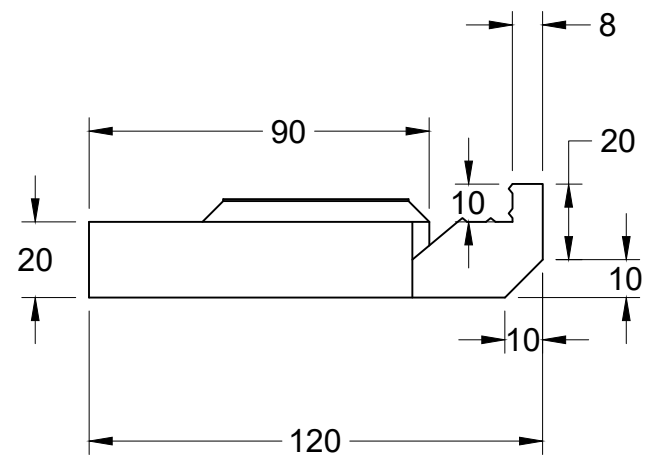
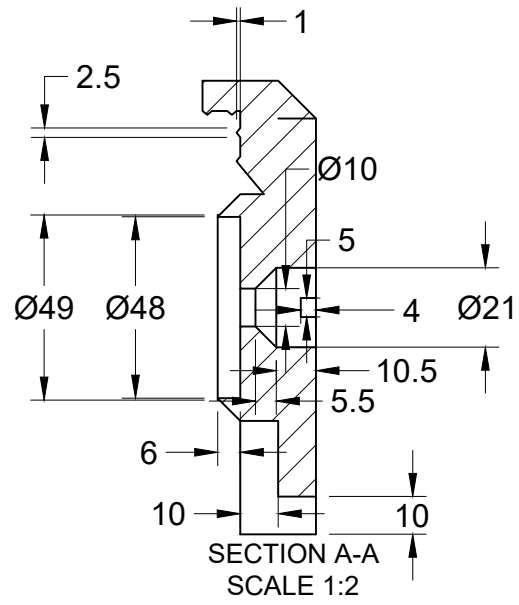
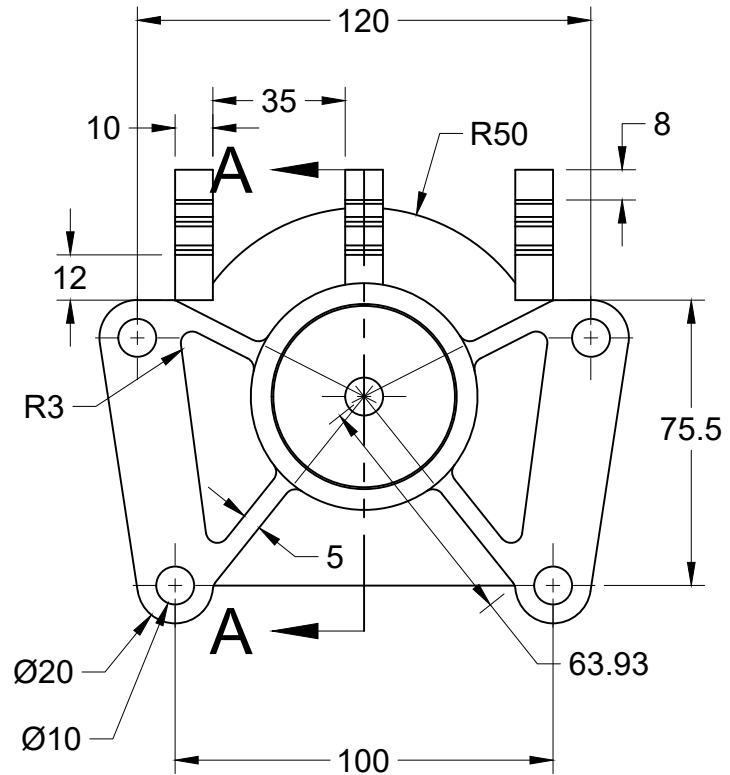
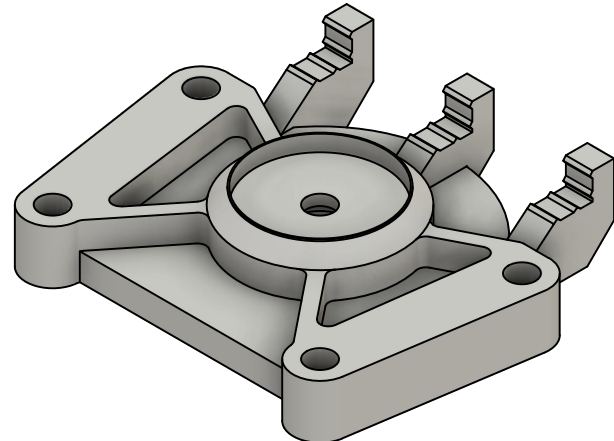
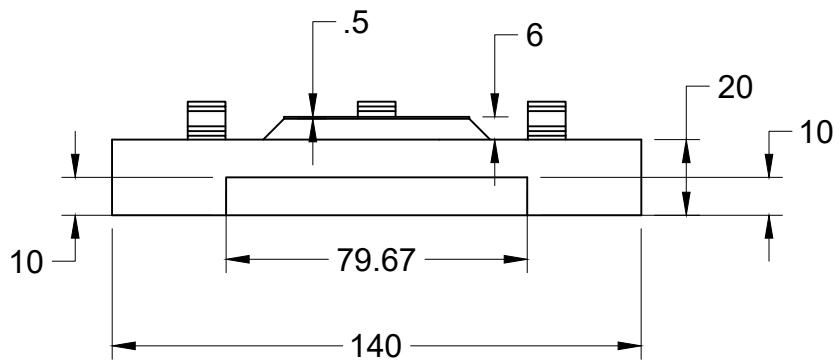
HYDRAULIC ARM BASE ASSEMBLED

SCALE: 1:6

3/14/2022

MR ROGERS

POE PERIOD 1



YIUNFAN HU

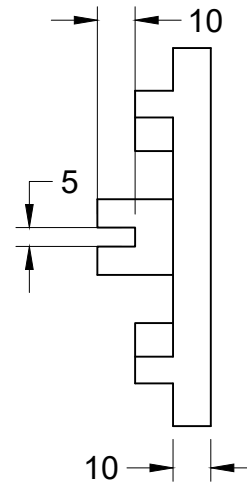
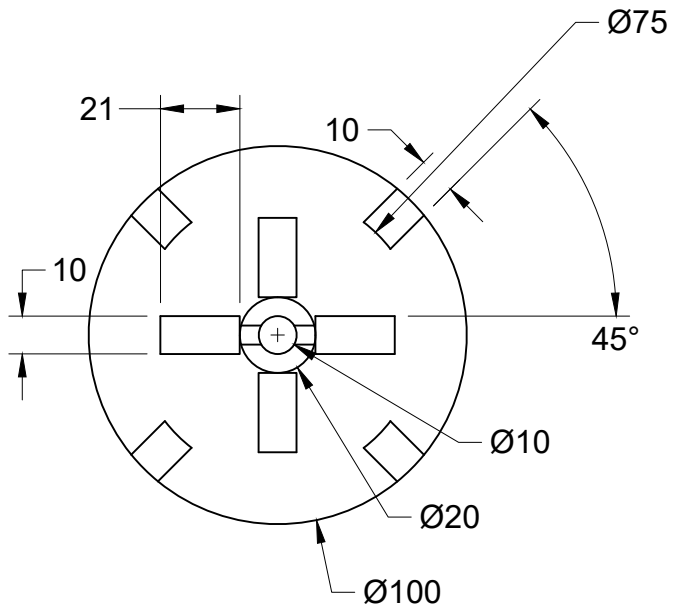
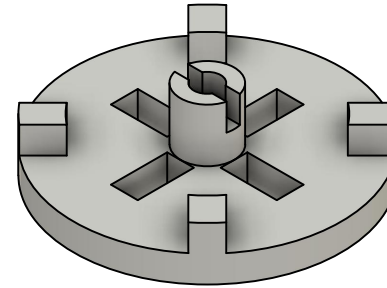
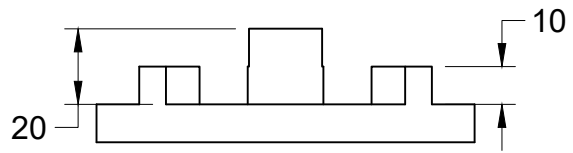
GEAR MOUNT

SCALE: 1:2

3/17/2022

MR ROGERS

POE PERIOD 1



YIUNFAN HU

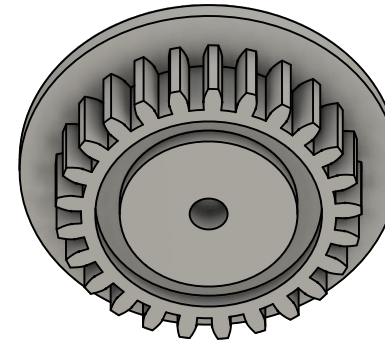
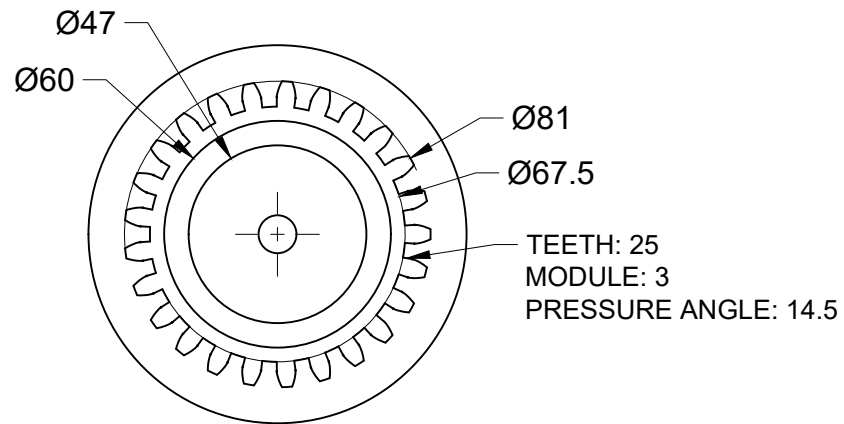
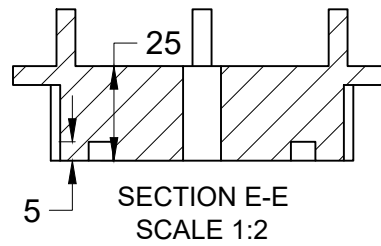
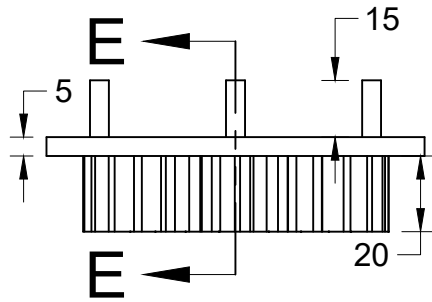
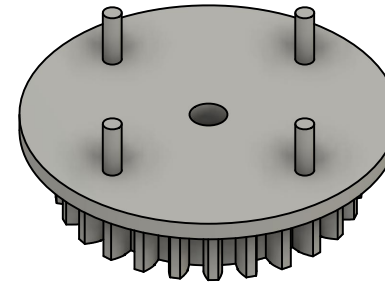
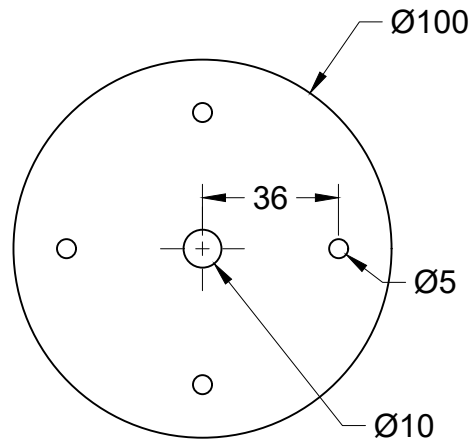
BASE

SCALE: 1:2

3/20/2022

MR ROGERS

POE PERIOD 1



YIUNFAN HU

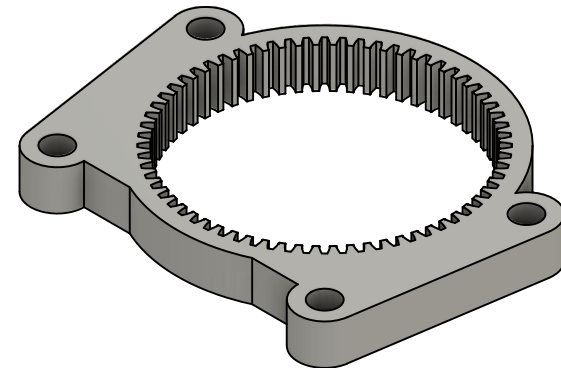
GEARBOX PLANETARY CARRIER

SCALE: 1:2

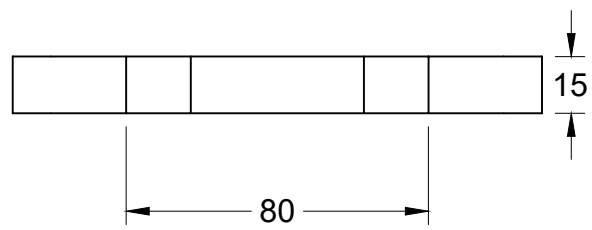
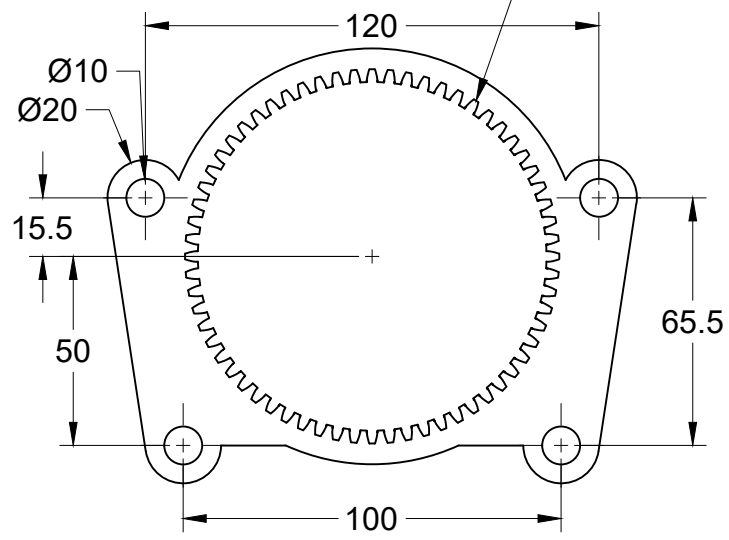
3/20/2022

MR ROGERS

POE PERIOD 1



TEETH: 64  
 MODULE: 1  
 PRESSURE ANGLE: 14.5



YIUNFAN HU

GEARBOX RING

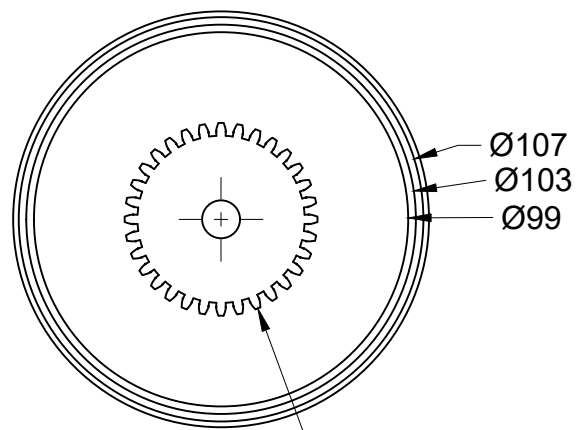
SCALE: 1:2

3/24/2022

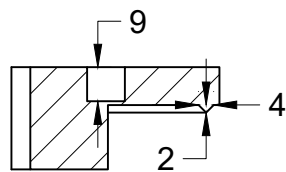
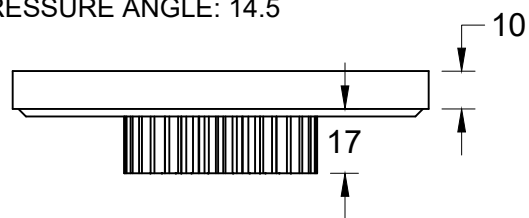
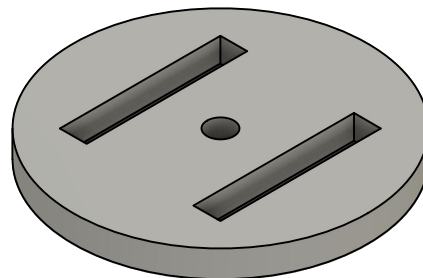
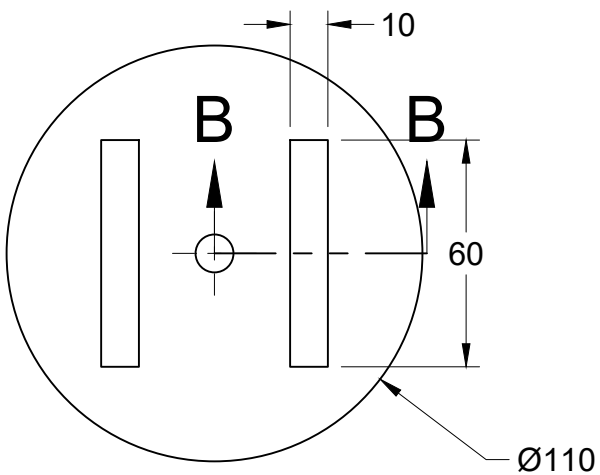
MR ROGERS

POE PERIOD 1

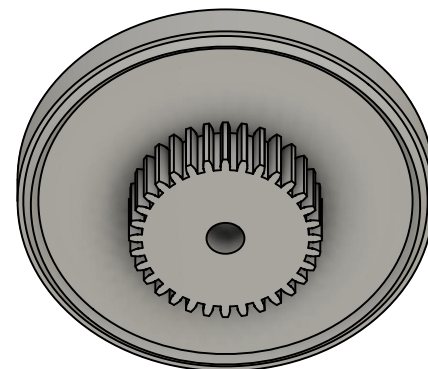




TEETH: 32  
 MODULE: 1  
 PRESSURE ANGLE: 14.5



SECTION B-B  
 SCALE 1:2



YIUNFAN HU

GEARBOX SUN

SCALE: 1:2

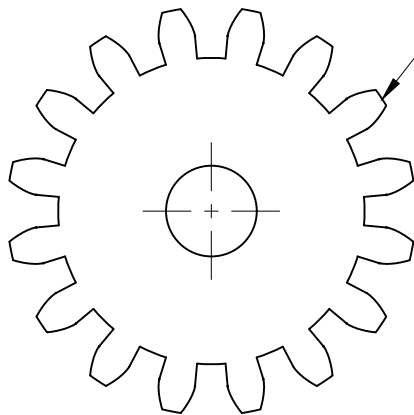
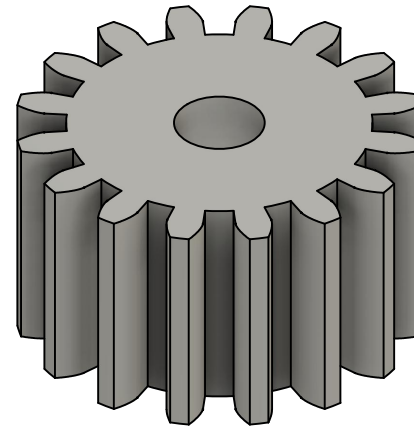
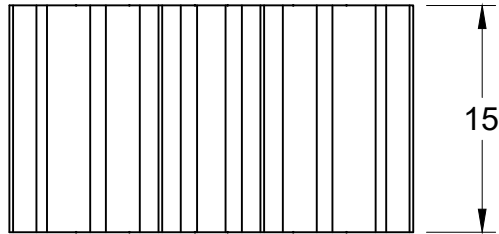
3/24/2022

MR ROGERS

POE PERIOD 1







TEETH: 16  
MODULE: 1  
PRESSURE ANGLE: 14.5

YIUNFAN HU

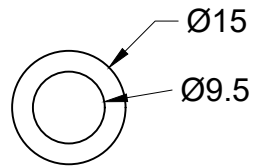
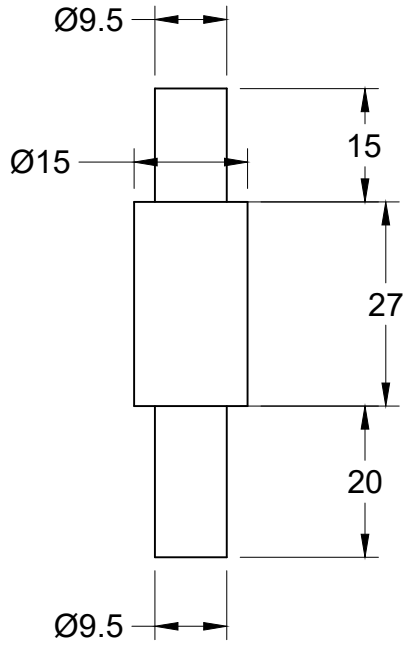
GEARBOX PLANET

SCALE: 2

3/24/2022

MR ROGERS

POE PERIOD 1



YIUNFAN HU

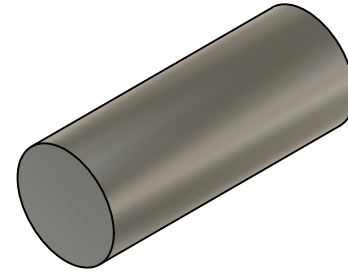
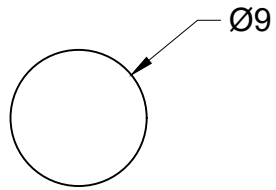
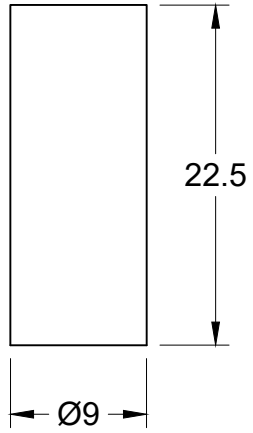
SPACER

SCALE: 1

3/24/2022

MR ROGERS

POE PERIOD 1



YIUNFAN HU

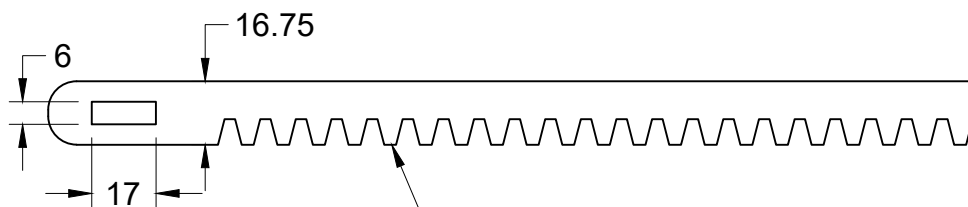
FOOTPIN

SCALE: 2

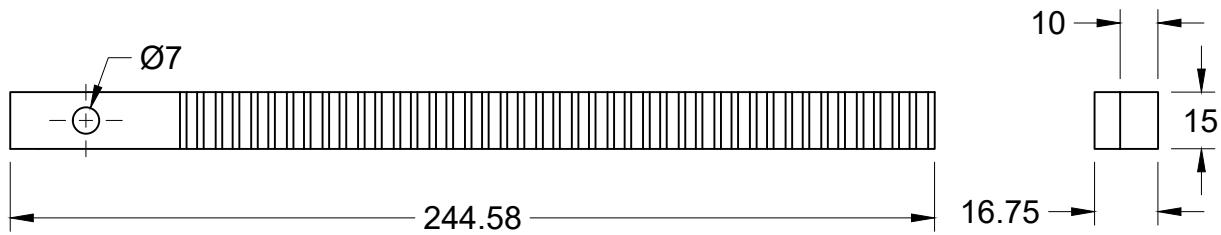
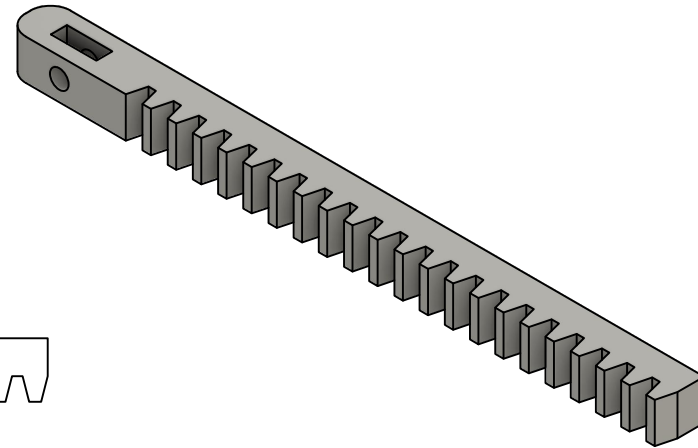
3/24/2022

MR ROGERS

POE PERIOD 1



TEETH: 22  
 MODULE: 3  
 PRESSURE ANGLE: 14.5



YIUNFAN HU

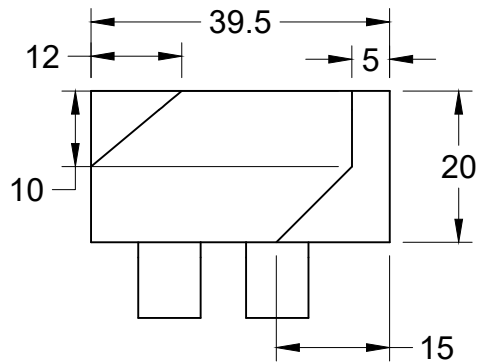
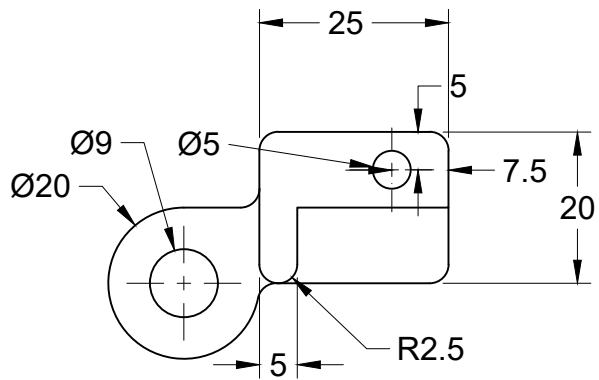
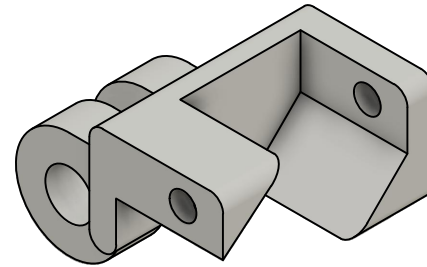
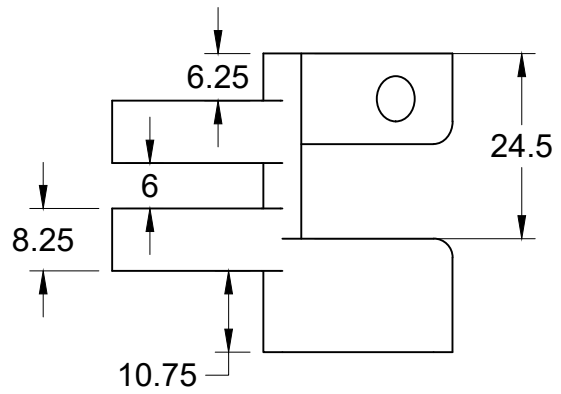
RACK

SCALE: 1:2

3/24/2022

MR ROGERS

POE PERIOD 1



YIUNFAN HU

STAGE ATTACHMENT POINT

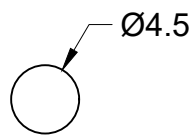
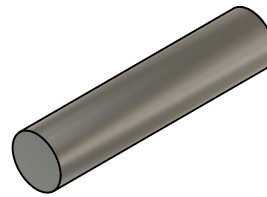
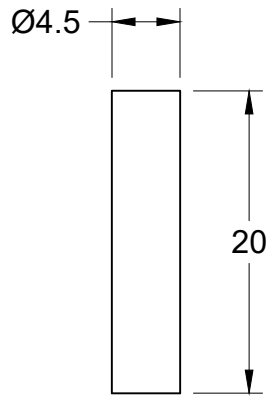
SCALE: 1:1

3/24/2022

MR ROGERS

POE PERIOD 1





YIUNFAN HU

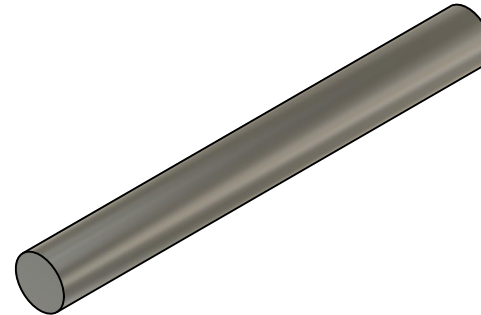
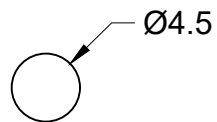
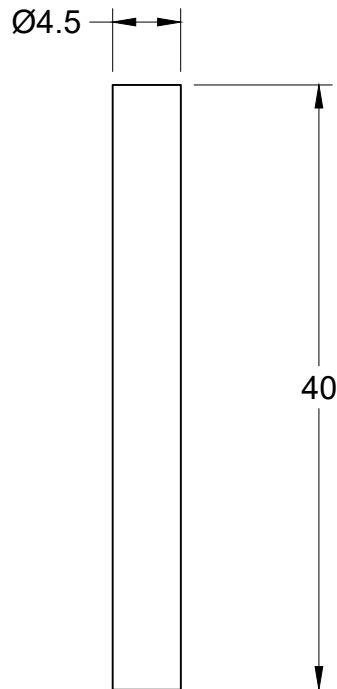
LEG PIN

SCALE: 2:1

3/24/2022

MR ROGERS

POE PERIOD 1



YIUNFAN HU

ATTACHMENT PIN

SCALE: 2

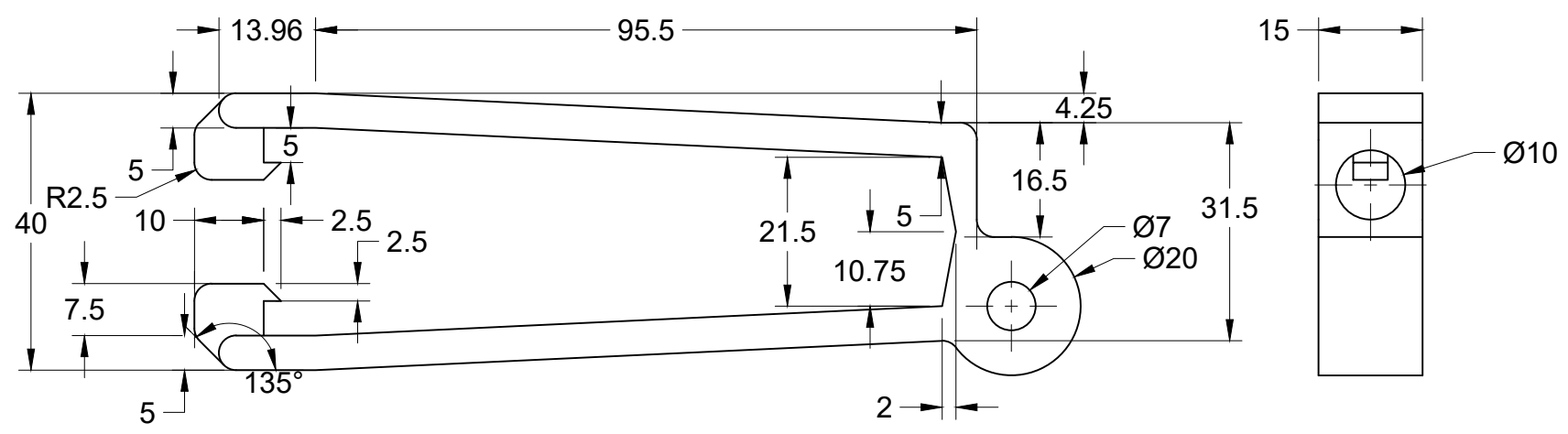
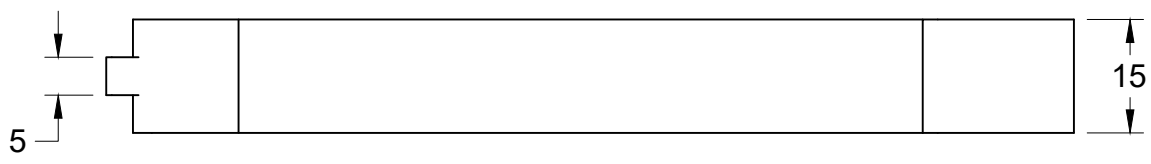
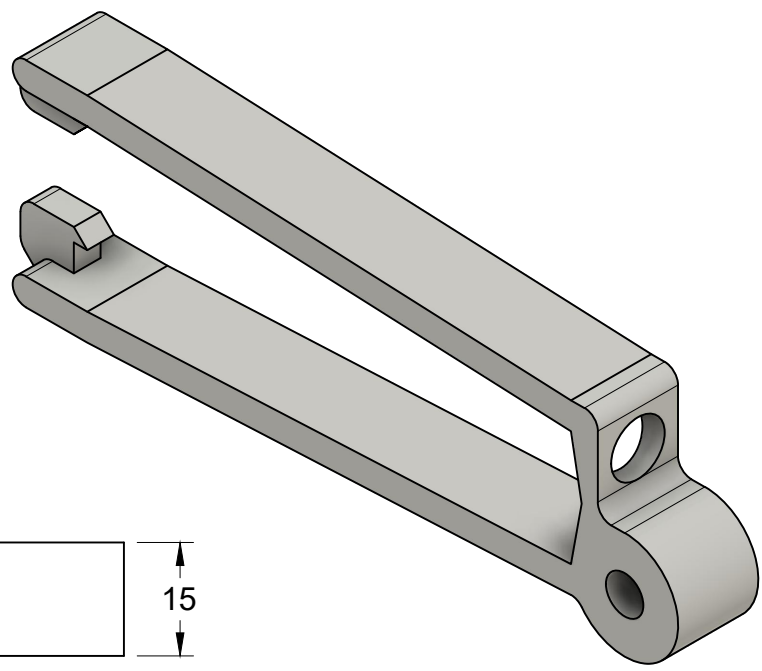
3/24/2022

MR ROGERS

POE PERIOD 1







YIUNFAN HU

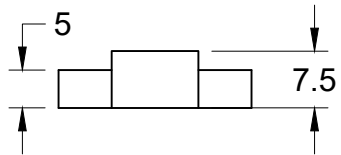
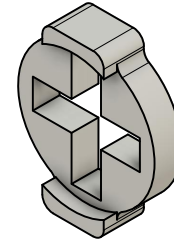
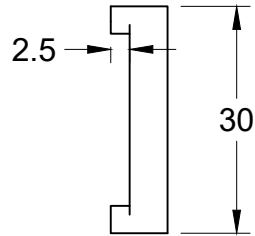
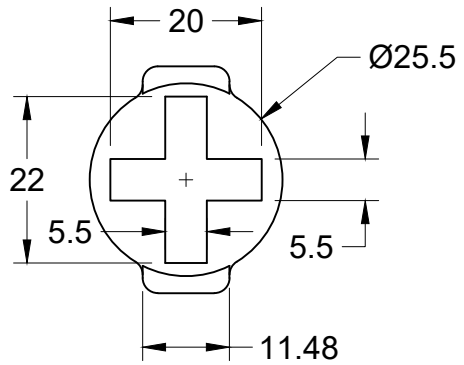
SYRINGE HOLDER

SCALE: 1:1

3/27/2022

MR ROGERS

POE PERIOD 1



YIUNFAN HU

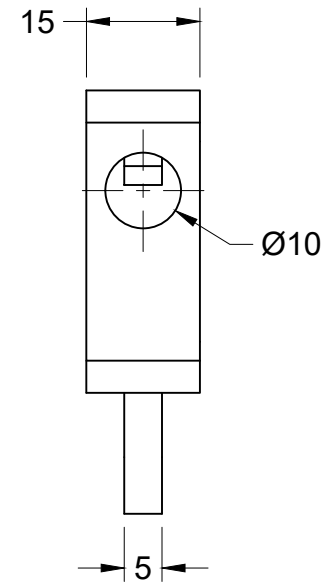
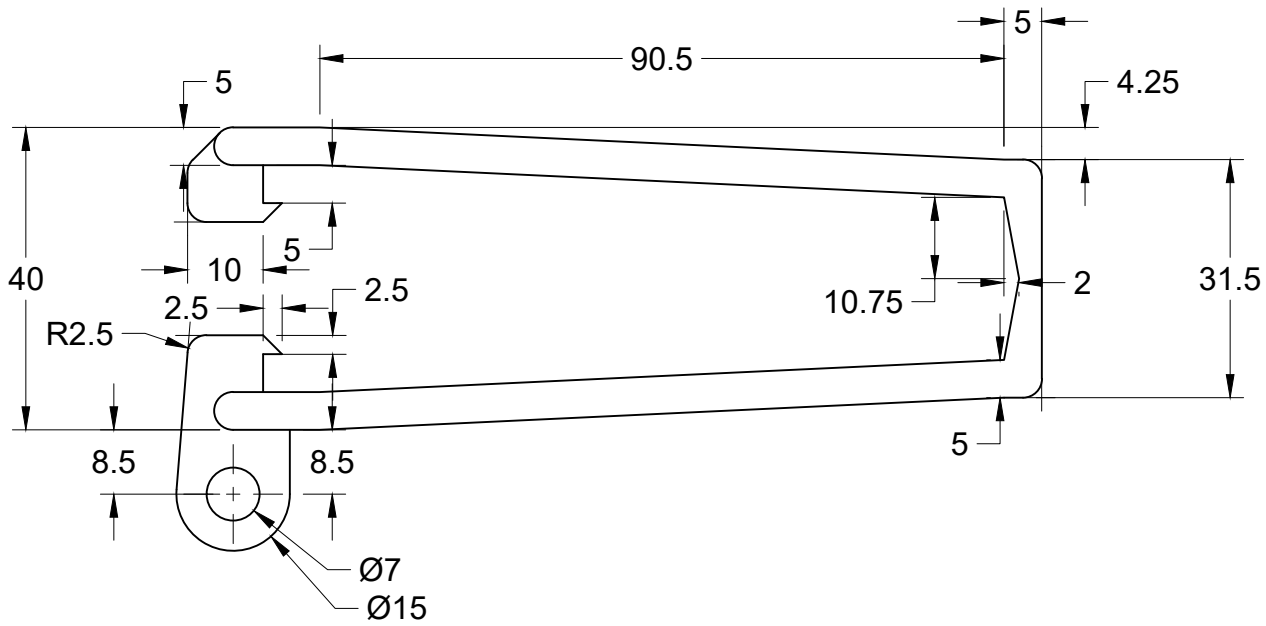
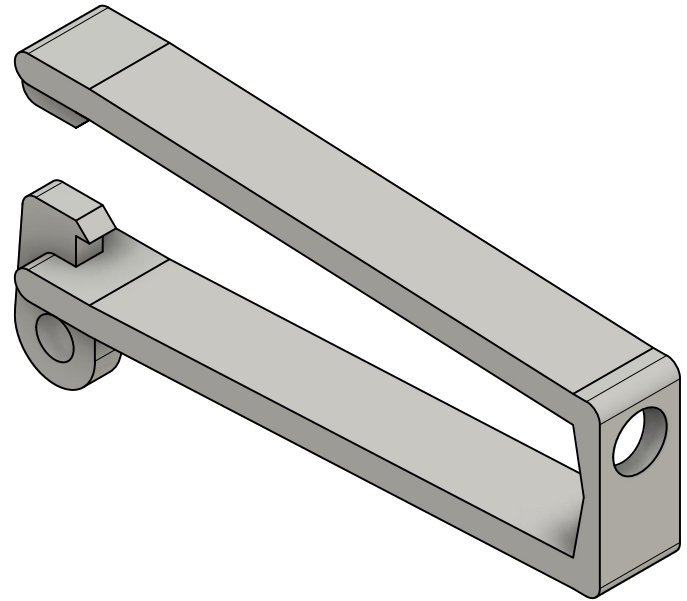
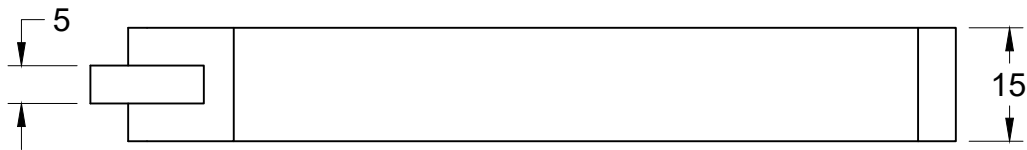
SYRINGE COVER

SCALE: 1:1

3/27/2022

MR ROGERS

POE PERIOD 1



YIUNFAN HU

SYRINGE HOLDER MODEL B

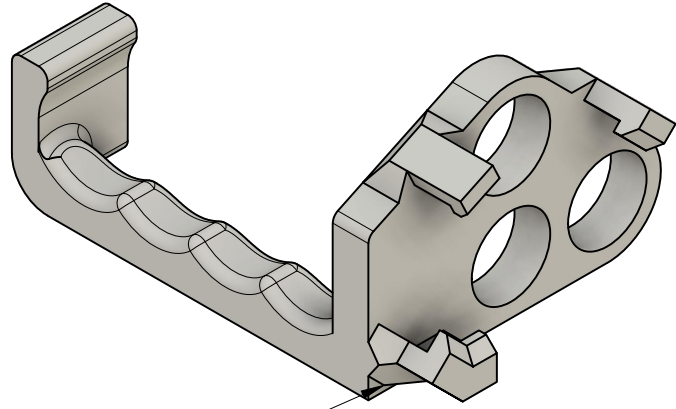
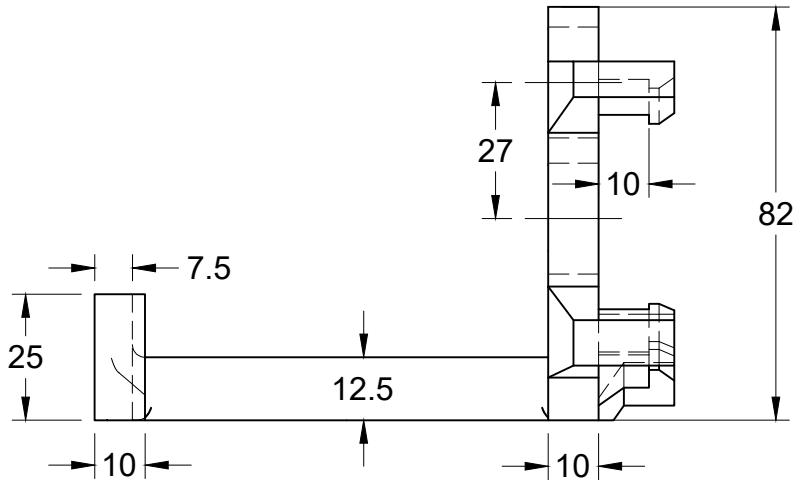
SCALE: 1:1

3/27/2022

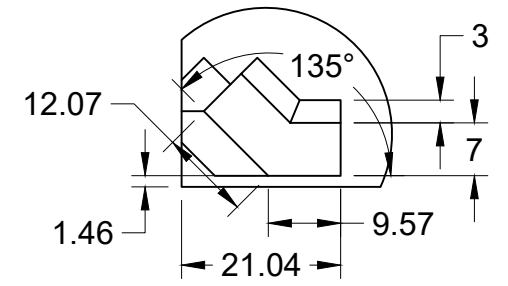
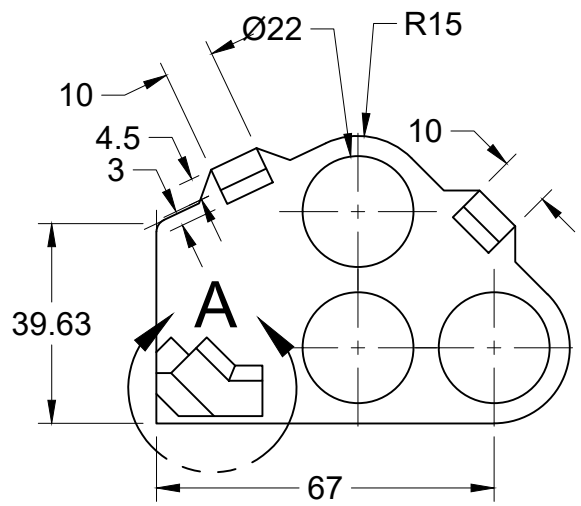
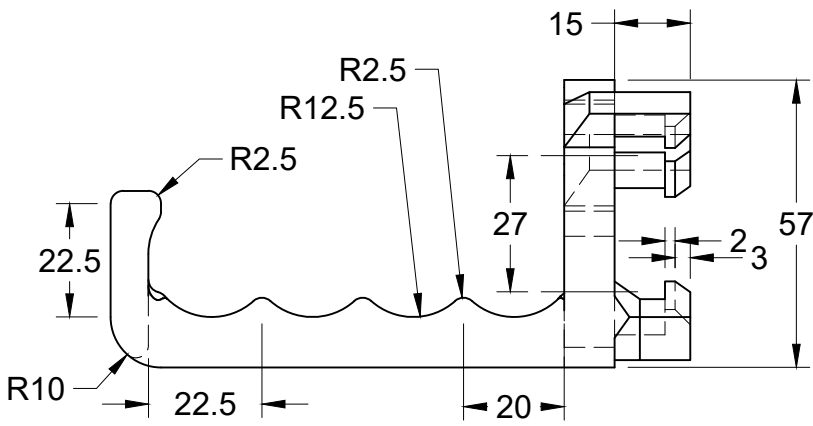
MR ROGERS

POE PERIOD 1





SLANTED EDGES  
CREATED BY 5mm  
CHAMFER



DETAIL A  
SCALE 1:1

YIUNFAN HU

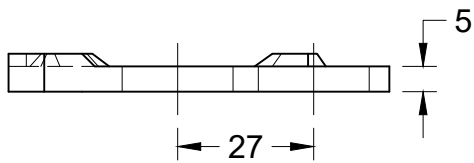
CONTROLLER

SCALE: 1:1.5

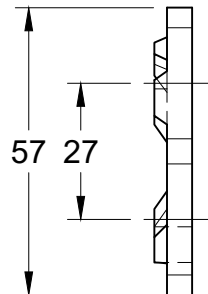
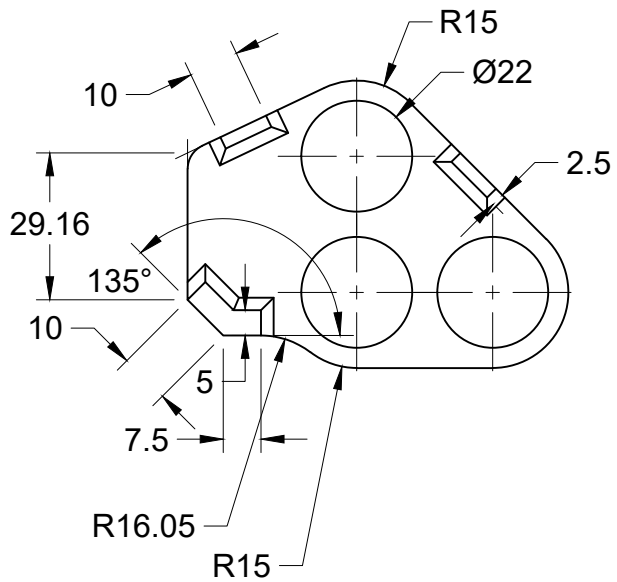
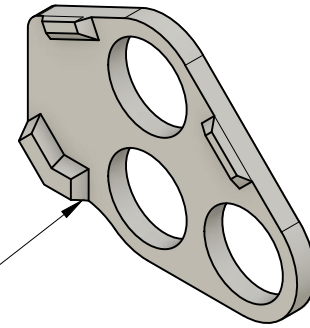
4/17/2022

MR ROGERS

POE PERIOD 1



SLANTED EDGES  
CREATED BY 2.5mm  
CHAMFER



YIUNFAN HU

CONTROLLER COVER

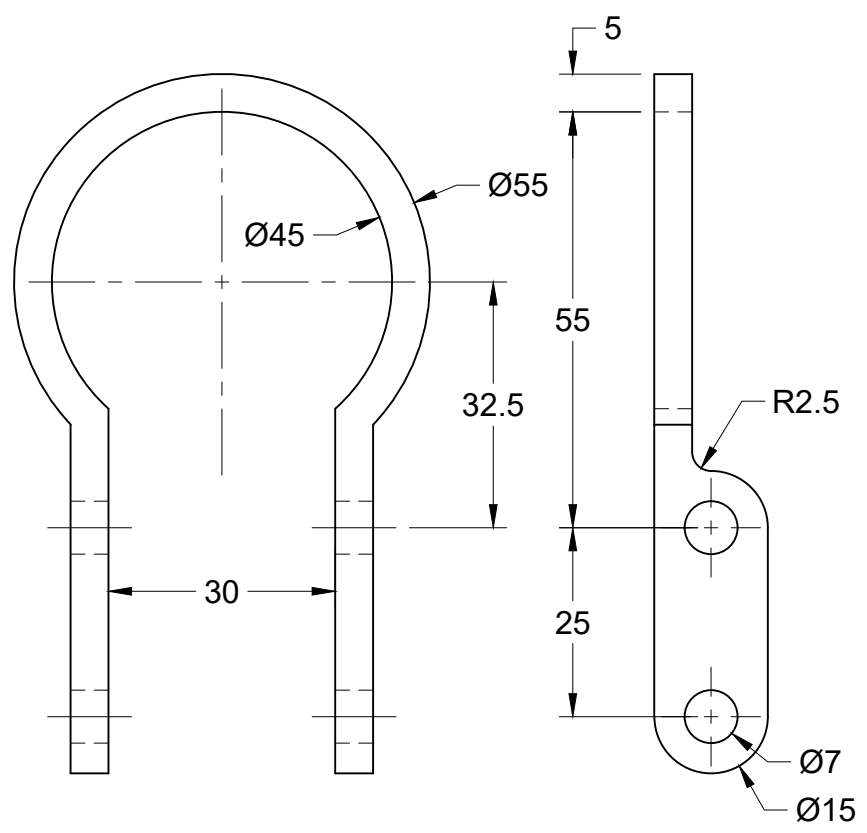
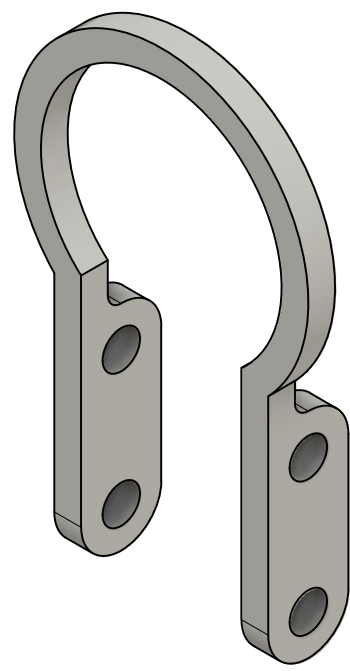
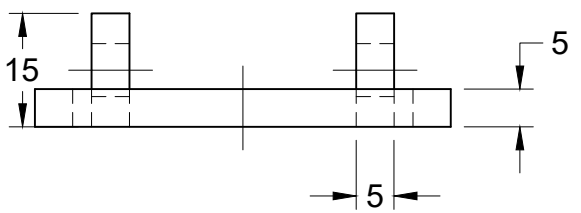
SCALE: 1:1.5

4/17/2022

MR ROGERS

POE PERIOD 1

# APPENDIX



YIUNFAN HU

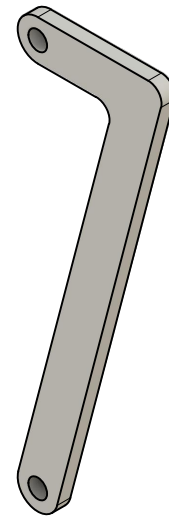
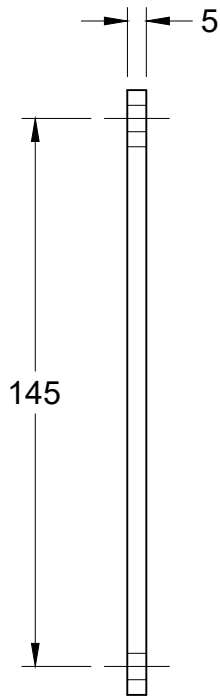
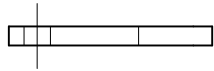
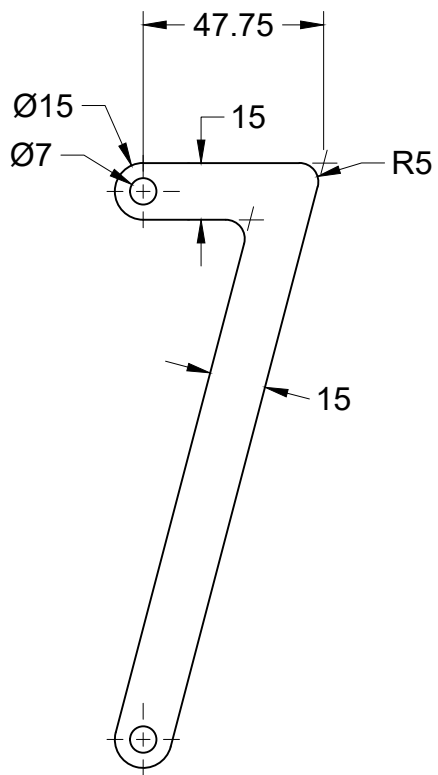
WEIGHT HOLDER

SCALE: 1

4/15/2022

MR ROGERS

POE PERIOD 1



YIUNFAN HU

LINKAGE ARM ONE MK2

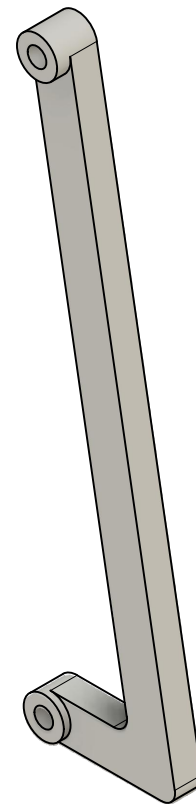
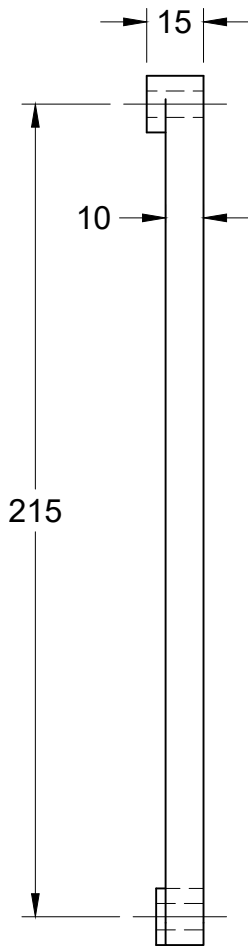
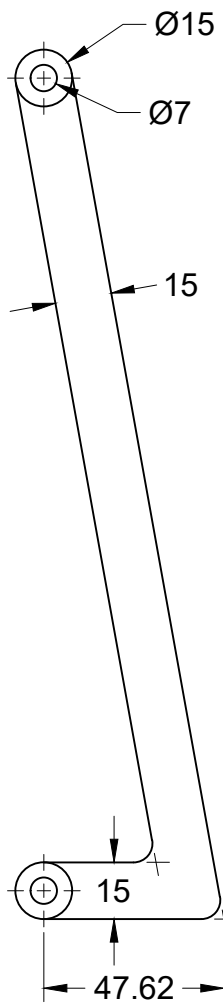
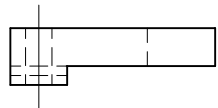
SCALE: 1:2

4/15/2022

MR ROGERS

POE PERIOD 1





YIUNFAN HU

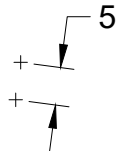
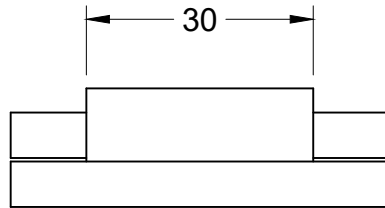
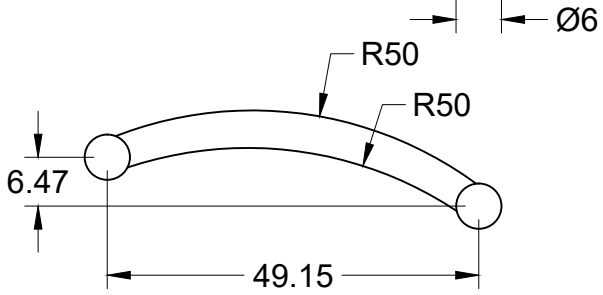
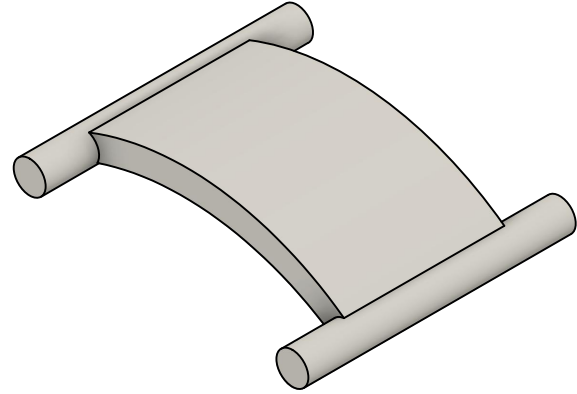
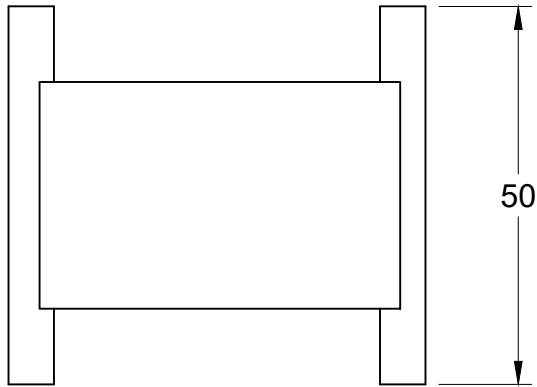
LINKAGE ARM TWO MK2

SCALE: 1:2

4/15/2022

MR ROGERS

POE PERIOD 1



YIUNFAN HU

WEIGHT LINKAGE

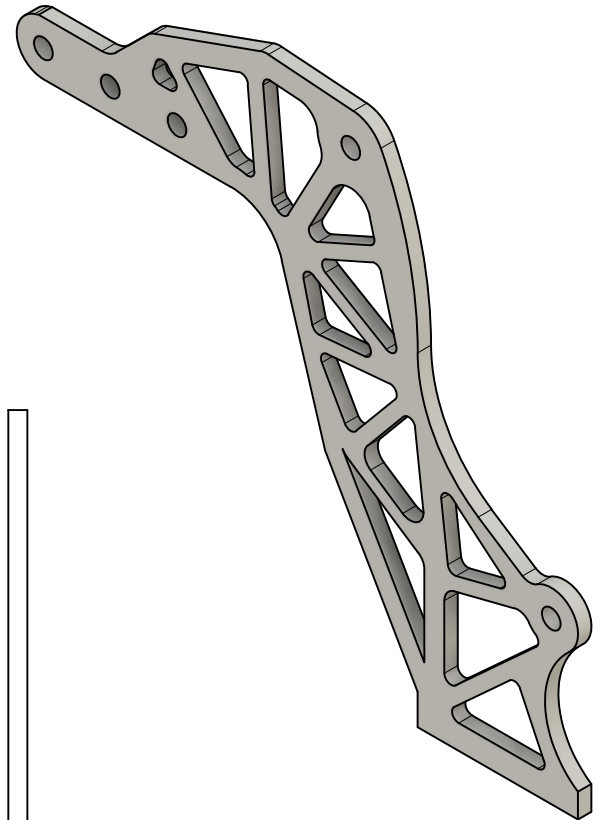
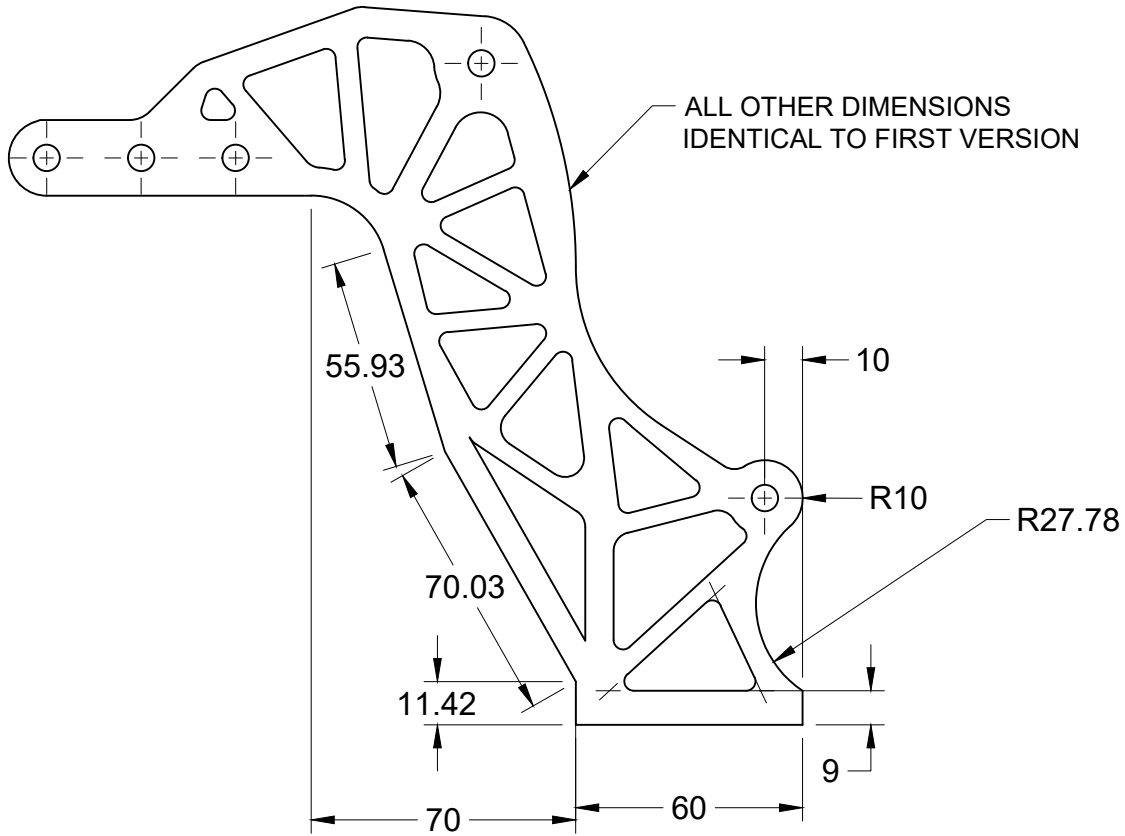
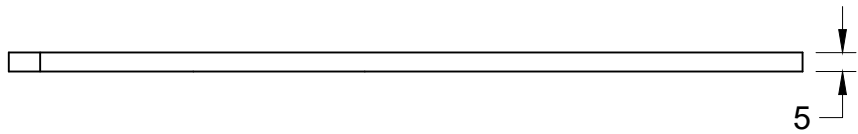
SCALE: 1

4/15/2022

MR ROGERS

POE PERIOD 1





YIUNFAN HU

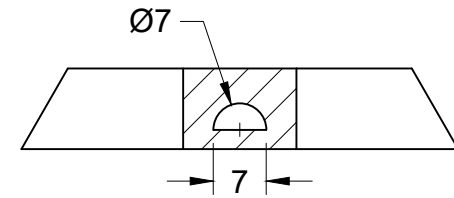
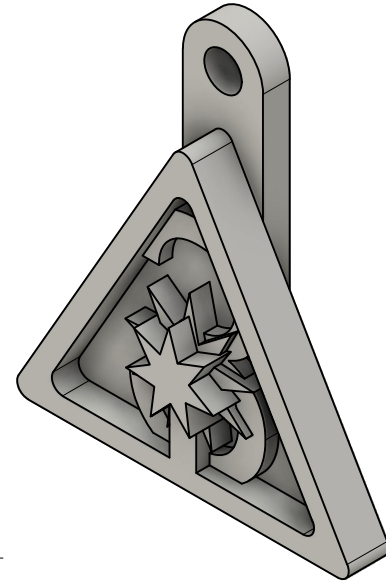
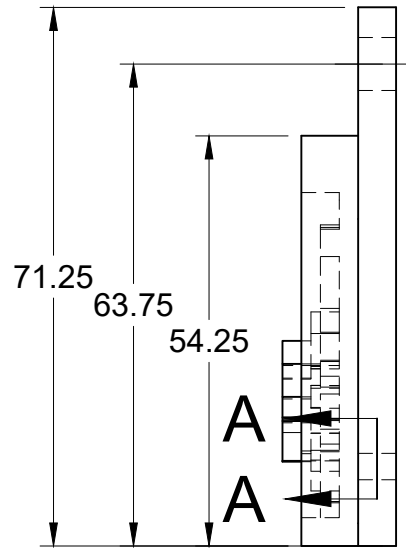
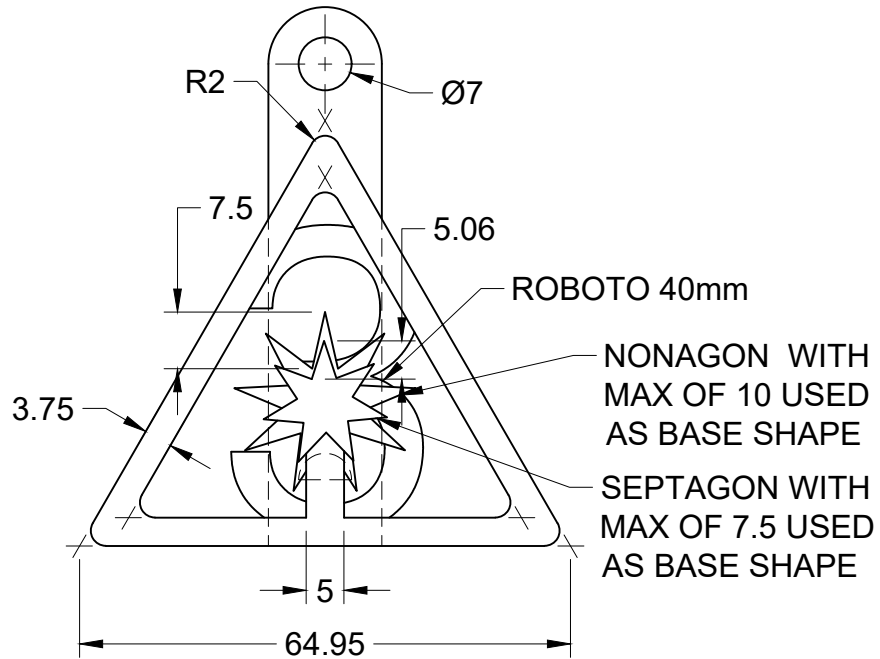
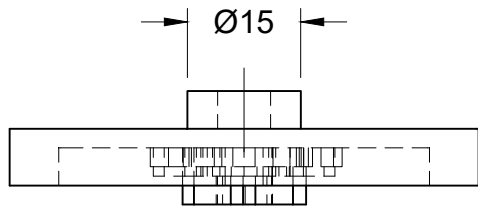
SHOULDER MK2

SCALE: 1:2

4/15/2022

MR ROGERS

POE PERIOD 1



SECTION A-A  
SCALE 1

YIUNFAN HU

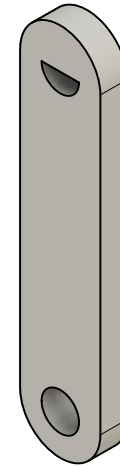
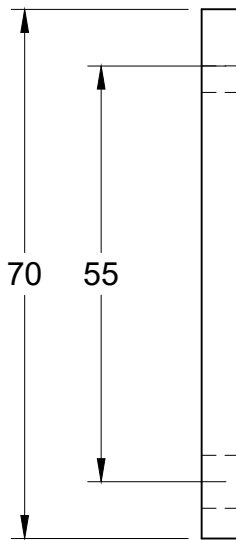
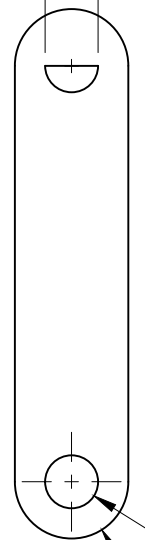
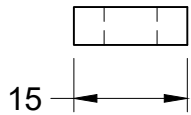
ICON LABEL

SCALE: 1

4/15/2022

MR ROGERS

POE PERIOD 1



YIUNFAN HU

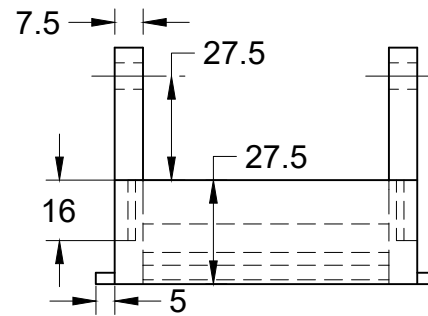
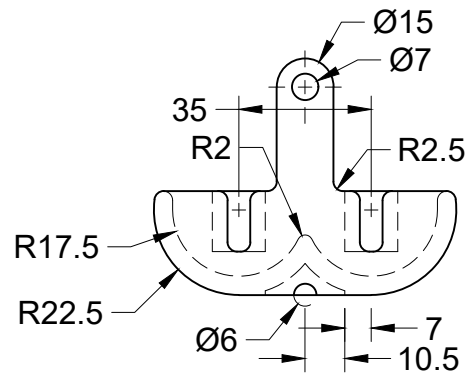
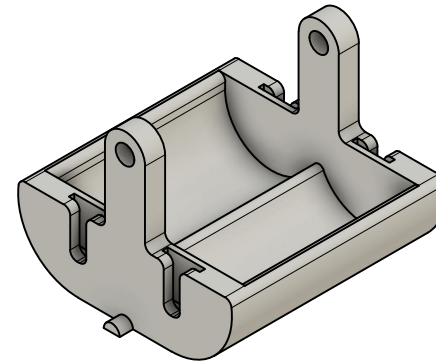
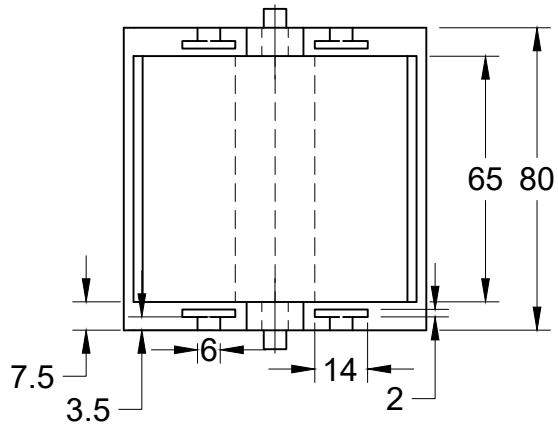
BATTERY BAR

SCALE: 1

4/15/2022

MR ROGERS

POE PERIOD 1



YIUNFAN HU

BATTERY CASE

SCALE: 1:2

4/15/2022

MR ROGERS

POE PERIOD 1